



Extreme Less Latency

Extreme less network latency provides highly efficiency monitoring environments without system delay.



Multiple Profile Streaming

"Bryan" cameras support H.265/264/MJPEG Triple codec and multiple streaming capabilities.

Users can select the relevant codec to suit their individual requirement, such as, real-time monitoring, high-quality or high-efficiency recording, mobile monitoring and E-mail notification.



WDR(Wide Dynamic Range)

WDR is a powerful and ultra-advanced technology that captures cleaner and superior high resolution pictures, even where images appear dark because there is a strong back light present.



Video Analytics

Video Analytics on the "Bryan" cameras includes: Motion Detection, which detects when a change has occurred in predefined areas in the field of view, Trip zone /Enter/Exit functions, which detect if a breach has occurred in a predefined area and Tampering detection that automatically alarms when a camera is disrupted.



ISO 9001 ISO 14001 RoHS

BR-PT400I44X-2MASP

H.265 Network Starlight 44X ,Autotracking



Features

- Autotracking Early Warning(AEW)
- IR LED+White Light+Green Laser
- Support perimeter alert and tripwire alert
Person-vehicle separation
- S+265/H.265/H.264 HP/MP/BP/M-JPEG Codec
- Up to 1920×1080@60fps
- Smart IR, IR Range: 400m
- VCA : Heat Map/Tripwire/Double Tripwire/Perimeter/Object Abandon/Object Lost/Running/Loitering/Parking/
Early Warning/Crowd/Audio Abnormal Detection/Video Abnormal Detection/Face Detection/People Counting/On duty Detection/Auto tracking

Specifications

ITEM	BR-PT400I44X-2MASP
Image Sensor	1/1.8" CMOS
Effective Pixels	1920(H)×1080(V)
Signal System	PAL/NTSC
	Color: 0.0004 Lux @(F1.6,AGC ON)
Minimum Illumination	Black&White:0.0001Lux @(F1.6,AGC ON) 0 Lux with IR
White Balance	Auto/ ATW/ Manual/Sunny/natural/warm/fluorescent/incandescent/lock white balance
AGC	Auto/ Manual
S/N Ratio	≥ 55dB
BLC	Y
HLC	Y
Smart Defog	Auto/ Manual
WDR	140dB
Digital Noise Reduction	3D DNR
Exposure Mode	Auto/ Manual/ Iris First/ Shutter First
Shutter Time	1/1s-1/100000s
Day& Night	Dual-ICR
Digital Zoom	16x
Privacy Masking	24 Dynamic Privacy Masks; Optional Multiple Colors
Auto Focus	Auto/ Semi-automatic/ Manual
OSD	16×16,32×32,24×24,48×48,64×64,96×96 Character Size Time/Date/Week/Character Superposition in 5 Regions PTZ Angle Superposition support Chinese and English

Lens	
Focal Length	6-264mm, 44x
Zoom Speed	Approx. 5s(Optical Wide-Tele)
Angle of View	61.2°(w)~2°(t) 1-1.5m(Wide-Tele)
Aperture Range	F1.5 ~ F4.8
Pan & Tilt	
Pan Range	360°endless
Pan Speed	Pan Manual Speed: 0.1° -240°/s Pan Preset Speed: 240°/s stepless
Preset Accuracy	±0.2°
Tilt Range	-16°-90° (Auto Flip)
Tilt Speed	Tilt Manual Speed: 0.1°-240°/s Tilt Preset Speed: 240°/s
Proportional Zoom	Rotation Speed Can Be Adjusted Automatically According to Zoom Multiples
3D Position	Y
Number of Preset	500
Scan	8
Cruise	16, up to 32 Presets per Cruise
Pattern	8, Each One With 600s Memory or 300 Orders
Power loss recovery	Y
Guard Action	Preset/ Cruise/ Pattern/ Scan
PTZ Position Display	Y
Freeze Frame	Y
RS-485 Protocols	PTZ_PELCO_D , PTZ_PELCO_P , PTZ_TC615_P , DOME_PELCO_D , DOME_PELCO_P , DOME_PLUS

Infrared	
IR Distance	400m
IR Angle	Adjustable by Zoom

Interface	
Audio Input	1-ch Line in Interface
Audio Output	1-ch Line level, Built-in speaker optional
Ethernet	1-ch RJ45 10M/ 100M
Alarm Input	8-ch
Alarm Output	2-ch
On-board Storage	MicroSD Card Slot, up to 256GB
BNC	1.0Vp-p / 75Ω, NTSC (or PAL) Composite
RS-485	1-ch
RESET	Y
Extension	N/A

Network	
Ethernet	10Base -T/100Base-TX RJ45 Connector/920×1080
Main Stream	1920×1080@50/60fps;1280×960@50/60fps;1280×720@50/60fps 640×480@50/60fps;704×576@50/60fps;704×480@50/60fps
Sub Stream	704×576@25/30fps;704×480@25/30fps;704×288@25/30fps;704×240@25/30fps;352×240@25/30fps;352×288@25/30fps;
Third Stream	1920×1080@25/30fps;1280×720@25/30fps;640×480@25/30fps;704×576@25/30fps; 704×480@25/30fps;704×288@25/30fps;704×240@25/30fps;352×240@25/30fps; 352×288@25/30fps;
Protocols	TCP/UDP/HTTP/MULTICAST/UPnP/DHCP/PPPoE/DDNS/NFS/FTP/NTP/RTP/RTSP/IPV6/SMTP

Image Compression	S+265/H.265/H.264, Encoding with Baseline/Main/High Profile
ROI Encoding	7 Dynamic Areas for Both Main and Sub Stream
Audio Compression	G711A/G711U/ADPCM/AAC
Remote Connection	10 Users Access at the Same Time
User Permission	Up to 32 Users, 4 Levels
IP Address	Support static, dynamic IP address, Customized MTU , Customized Network card
Web Browser	IE8,IE9,IE10,Chrome8+,Firefox3.5+
System Compatibility	ONVIF (Profile S) , SDK,CGL,P2P

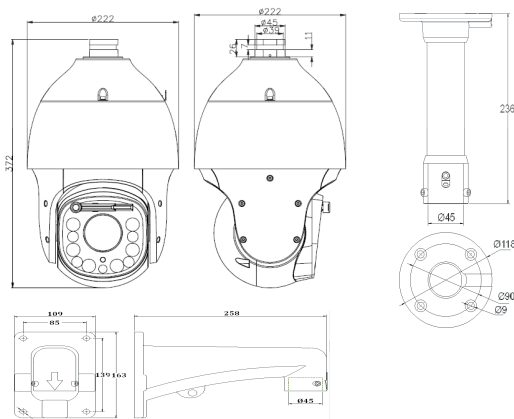
Advance	
Autotracking Early Warning(AEW)	Support perimeter alert and tripwire alert, can be linked with laser, white light, warning sound (support customized), tracking, can set customized three-level alert
Video Analytics(IVA)	Heat Map/Tripwire/Double Tripwire/Perimeter/Object Abandon/Object Lost/Running/Loitering/Parking/Early Warning/Crowd/Audio Abnormal Detection/Video Abnormal Detection/Face Detection/People Counting/On duty Detection/Auto tracking
Smart-tracking	By Panorama/Manual/Behavior analysis Tracking
Intelligent Alarm	Motion Detection, Mask Alarm, Harsh Voice Alarm, Video Lost Alarm ,Cable disconnected , IP Conflict , Unauthorized Access , Disk full, disk read and write error, MAC address conflict, FTP server exception

General	
Language	English,Spanish,Korean,Italian,Turkish,Thai,Russian,Traditional Chinese,Simplified Chinese,Polish,French
Operating Conditions	-40°C-70°C, 0 ~ 95% RHG
Power Supply	AC24V 3A
Power Consumption	40W MAX
Circuit Protection	TVS 6000V, Lightning/ Surge 4000V Protection,IP66

Dimension (unit:mm)

Weight

(5.45KG (IP PTZ Only) , 8.15KG (with Packing Box)



(*) Design and specifications are subject to change for product improvements without prior notice.