



### Extreme Less Latency

Extreme less network latency provides highly efficiency monitoring environments without system delay.



### Multiple Profile Streaming

"Bryan" cameras support H.265/264/MJPEG Triple codec and multiple streaming capabilities.

Users can select the relevant codec to suit their individual requirement, such as, real-time monitoring, high-quality or high-efficiency recording, mobile monitoring and E-mail notification.



### WDR(Wide Dynamic Range)

WDR is a powerful and ultra-advanced technology that captures cleaner and superior high resolution pictures, even where images appear dark because there is a strong back light present.



### Video Analytics

Video Analytics on the "Bryan" cameras includes: Motion Detection, which detects when a change has occurred in predefined areas in the field of view, Trip zone /Enter/Exit functions, which detect if a breach has occurred in a predefined area and Tampering detection that automatically alarms when a camera is disrupted.



ISO 9001 ISO 14001 RoHS

## BR-PT100I20X-SP

H.265 Network IR PTZ Starlight 20X



### Features

- Starlight Ultra Low Light 0.002lux
- H.265 Compression
- Up to 1920x1080@30fps
- Mechanical WDR 140dB
- Smart IR, IR Range: 100m
- Optical Zoom: 20x, Digital Zoom: 16x
- Speed Max 400°/s, -16~90° Tilt Angle
- NIR, WDR, 3D DNR, HLC, Dual-ICR, AWB, AGC, BLC
- VCA Tripwire/Double Tripwire/Perimeter/Object Abandon/Object Lost/Running/Loitering/Parking/Crowd/Audio Abnormal Detection/Video Abnormal Detection"
- Interface Built-in Mic, Audio I/O 1/1, Alarm I/O 1/1, MicroSD Card Slot, up to 128GB, Reset Button
- TVS 6000V, Lightning/Surge 4000V Protection, IP66
- Operating Conditions -40°C-70°C, 0~95% RHG

#### Interface

<b>Audio Input</b>	1-ch Mic in(Line in Interface) Line Input 2-2.4V(p-p); Output Impedance 1KΩ, ±10%
<b>Audio Output</b>	1-ch Line level, Impedance: 600Ω
<b>Ethernet</b>	1-ch RJ45 10M/ 100M
<b>Alarm Input</b>	1-ch
<b>Alarm Output</b>	1-ch
<b>On-board Storage</b>	MicroSD Card Slot, up to 128GB
<b>BNC Output &amp; RS485</b>	N/A
<b>Extension</b>	N/A

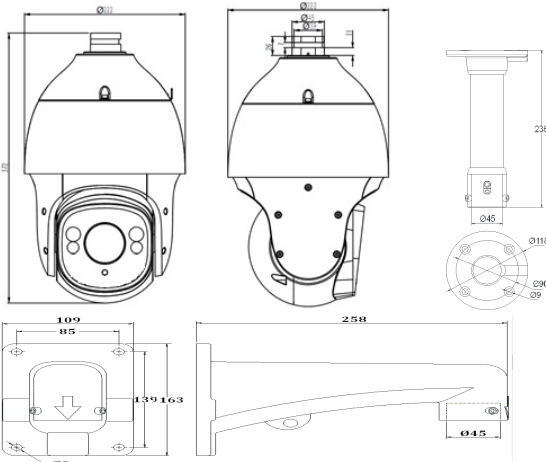
#### General

<b>Language</b>	English, Spanish, Korean, Italian, Turkish, Thai, Russian Polish, French, Traditional Chinese, Simplified Chinese
<b>Operating Conditions</b>	-40°C-70°C, 0~95% RHG
<b>Power Supply</b>	DC12V, POE+
<b>Power Consumption</b>	12.05W(IR OFF)/21.18W(IR ON )
<b>Circuit Protection</b>	TVS 6000V, Lightning/ Surge 4000V Protection
<b>Impact Protection</b>	IP66
<b>Wiper</b>	N/A
<b>IR LEDs</b>	4pcs
<b>Dimensions</b>	372mmx222mmx222mm

### Dimension (unit:mm)

### Weight

5KG (IP PTZ Only), 8.45KG (with Packing Box)



## Specifications

ITEM	BR-PT100I20X-SP
<b>Image Sensor</b>	1/2.8" CMOS
<b>Effective Pixels</b>	1920(H)x1080(V)
<b>Signal System</b>	PAL/NTSC Color: 0.002 Lux @(F1.5,AGC ON) B/W:0.001Lux @(F1.5,AGC ON) 0 Lux with IR
<b>Minimum Illumination</b>	0 Lux with IR
<b>White Balance</b>	Auto/ ATW/ Manual
<b>AGC</b>	Auto/ Manual
<b>S/N Ratio</b>	≥ 55dB
<b>BLC</b>	Y
<b>HLC</b>	Y
<b>Smart Defog</b>	Y
<b>WDR</b>	140dB
<b>DNR</b>	3D
<b>Exposure Mode</b>	Auto/ Manual/ Iris First/ Shutter First
<b>Shutter Time</b>	1s-1/100000s
<b>Day&amp; Night</b>	Dual-ICR
<b>Optical Zoom</b>	20x
<b>Digital Zoom</b>	16x
<b>Privacy Masking</b>	24 Dynamic Privacy Masks Programmable; Optional Multiple Colors
<b>Picture Overlay</b>	200 × 200, BMP 24bit, Zone Configurable Size:16×16, 32×32, 24×24, 48×48, 64×64, 96×96 Letters, Week, Date, Time, Total 5 Regions
<b>OSD</b>	Letters, Week, Date, Time, Total 5 Regions
<b>Lens</b>	
<b>Focal Length</b>	5.2mm~104mm
<b>Zoom Speed</b>	Approx. <4s(Optical Wide-Tele)
<b>Angle of View</b>	55.8°(w)~3.2°(t)
<b>Min. Working Distance</b>	1-1.5m(Wide-Tele)
<b>Aperture Range</b>	F1.5-F3.0
<b>Pan &amp; Tilt</b>	
<b>Pan Range</b>	360° Endless
<b>Pan Speed</b>	Pan Manual Speed: 0.1° -240°/s Pan Preset Speed: 240°/s
<b>Preset Accuracy</b>	±0.2°
<b>Tilt Range</b>	-16°-90° (Auto Flip )
<b>Tilt Speed</b>	Tilt Manual Speed: 0.1°-240°/s Tilt Preset Speed: 240°/s
<b>Proportional Zoom</b>	Rotation Speed Can Be Adjusted Automatically According to Zoom Multiples
<b>3D Position</b>	Y
<b>Number of Preset</b>	500
<b>Scan</b>	8
<b>Cruise</b>	8, up to 32 Presets per Cruise
<b>Pattern</b>	8, Each One With 600s Memory or 300 Orders
<b>Power Loss Recovery</b>	Y
<b>Guard Action</b>	Preset/ Cruise/ Pattern/ Scan
<b>PTZ Position Display</b>	Y
<b>Freeze Frame</b>	Y
<b>Infrared</b>	
<b>IR Distance</b>	100m
<b>IR Angle</b>	Adjustable by Zoom
<b>Network</b>	
<b>Max.Image Resolution</b>	1920×1080
<b>Main Stream</b>	1920×1080@25/30fps; 1280×960@25/30fps; 1280×720@25/30fps; 1280×720@50/60fps 704×576@25/30fps;704×480@50/60fps
<b>Sub Stream</b>	704×576@25fps/704×480@30fps 352×288@25fps/352×240@30fps 176×144@25fps/176×120@30fps
<b>Third Stream</b>	352×288@25fps/352×240@30fps
<b>Image Compression</b>	H.265/H.264/H.264M/H.264B/MJPEG
<b>ROI Encoding</b>	7 Dynamic Areas for Both Main and Sub Stream
<b>Audio Compression</b>	G711A/G711U/ADPCM/AAC IPV4/IPV6/HTTP/802.1x/FTP/SMTP/UPnP/SNMP
<b>Protocols</b>	DNS/DDNS/NTP/RTSP/TCP/UDP/DHCP/PPPoE
<b>Remote Connection</b>	5 Users Access at the Same Time
<b>User/Host Level</b>	Up to 32 Users, 4 Levels
<b>Web Browser</b>	IE8/Firefox24 or above
<b>System Compatibility</b>	ONVIF (Profile S), SDK, CGI
<b>Advance</b>	Tripwire/Double Tripwire/Perimeter/Object Abandon
<b>Video Analytics(VCA)</b>	Object Lost/Running/Loitering/Parking/Crowd Audio Abnormal Detection/Video Abnormal Detection
<b>Intelligent Alarm</b>	Motion Detection, Mask Alarm, Port Alarm, Network Disable Alarm IP Conflict, MAC Conflict Detection

(\*) Design and specifications are subject to change for product improvements without prior notice.